

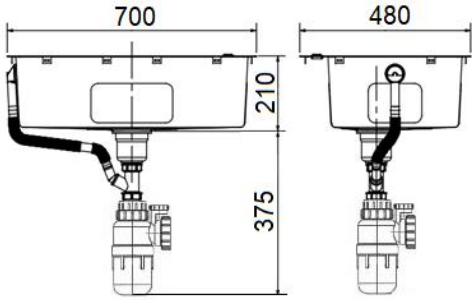
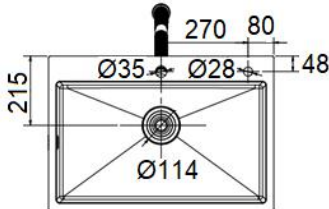




PROJECT		REF		REV	ITEM CODE	
LOCATION		DATE			PAGE	

SANITARY WARE SPECIFICATION SHEET

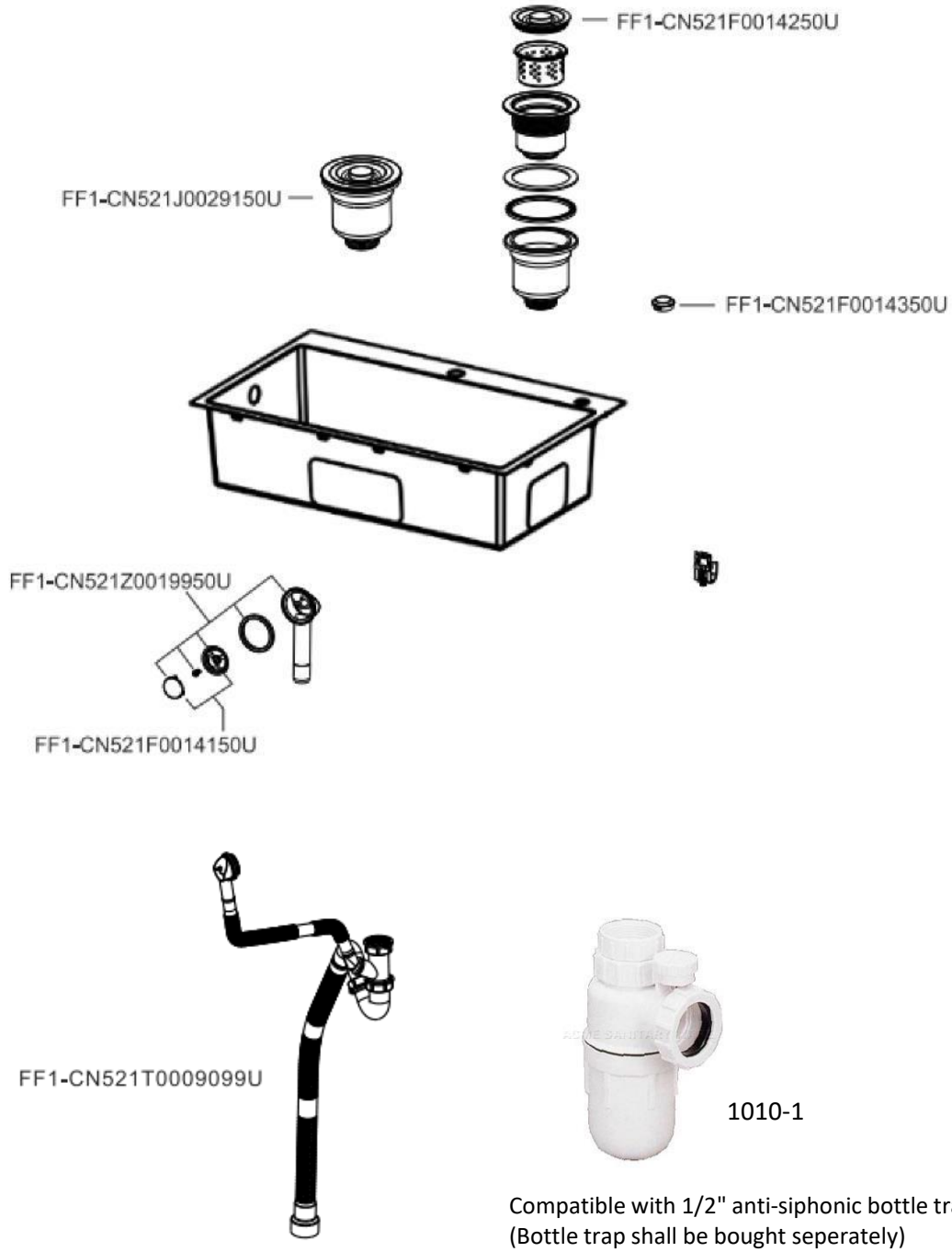
<p>Item Descriptions</p> <p>Dimensions</p> <p>Model</p> <p>Material</p> <p>Finish</p> <p>Manufacturer</p> <p>Source</p> <p>Contact Tel/Fax</p> <p>E-mail</p> <p>Website</p>	<p>American Standard (PRC) Stainless steel in grade 304 one-bowl sink</p> <p>L700 x W480 x H210 mm (Bowl)</p> <p>101368MS00</p> <p>Stainless Steel 304</p> <p>Satin</p> <p>American Standard (PRC)</p> <p>Acme Sanitary Ware Co. Ltd Mr. Eric Wong/ Mr. Don Yuen</p> <p>(852) 2388-7171 / (852) 2710-8012</p> <p>acme@acmesanitary.com.hk</p> <p>www.acmesanitary.com.hk</p>	<p>Illustration/ Drawing</p>    
<p><u>Detail specifications</u></p> <ul style="list-style-type: none"> • Top/Under Counter Handmade One-bowl Sink • High Quality SUS304 Stainless Steel • Strong Ability for Anti-corrosion and Anti-oxidation • Handmade Process and High-end Satin Finish • Rearward- waste design • Capacity (to overflow): 30L • With SUS304 drain and PP Material Waste • SUS304 Sheet Thickness 2.0mm (Panel) / 1.0 (Body) • With box packaging / Product weight: 9.2 kg • Standards Criteria: Q/ASJM 004-2023 		

Note: Bottle trap is excluded.

* All information of the above is for the reference only. No prior notice is made if any changes.



SANITARY WARE SPECIFICATION SHEET



Note: Bottle trap is excluded.